

67

ME 010-508

Pluggable terminal blocks on pin headers, pitch 5.08 mm



Pin header, without sidewalls, right angle version,  
consecutive placement without loss of pitch

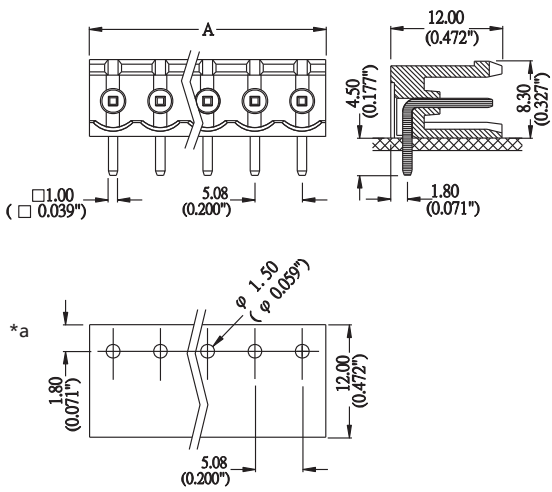
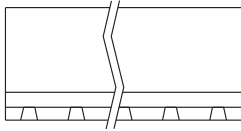
---

Approvals:



67

ME 010-508



\*a printed circuit board layout

#### Environmental conditions

Temperature range -40 °C/+105 °C

#### Materials

Insulating body PA, V-0 according to UL94  
Contact pin CuZn, tin-plated

#### Electrical data (at T<sub>amb</sub> 20 °C)

Rated current 16 A  
Rated voltage 300 V AC  
Rated impulse voltage ≥ 2 kV  
Insulation resistance > 5 GΩ

#### Associated products

Counterparts  
 ☞ 6770      ☞ MC 100-508      ☞ MC 200-508  
 ☞ MC 310-508

67

ME 010-508

Designation	Pole Number	PU (Pieces)	MDQ (Pieces)	Dimensions A (mm)
ME 010-508 02	2	500	1000	10.16
ME 010-508 03	3	500	1000	15.24
ME 010-508 04	4	500	1000	20.32

**Packaging:**

in bulk, in a plastic bag