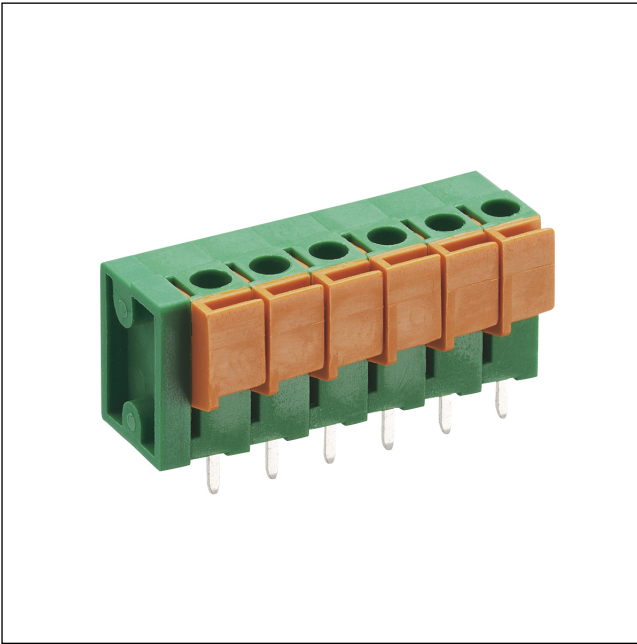


60 MX 122-508

Spring terminal blocks, pitch 4.0/5.08/8.0 mm



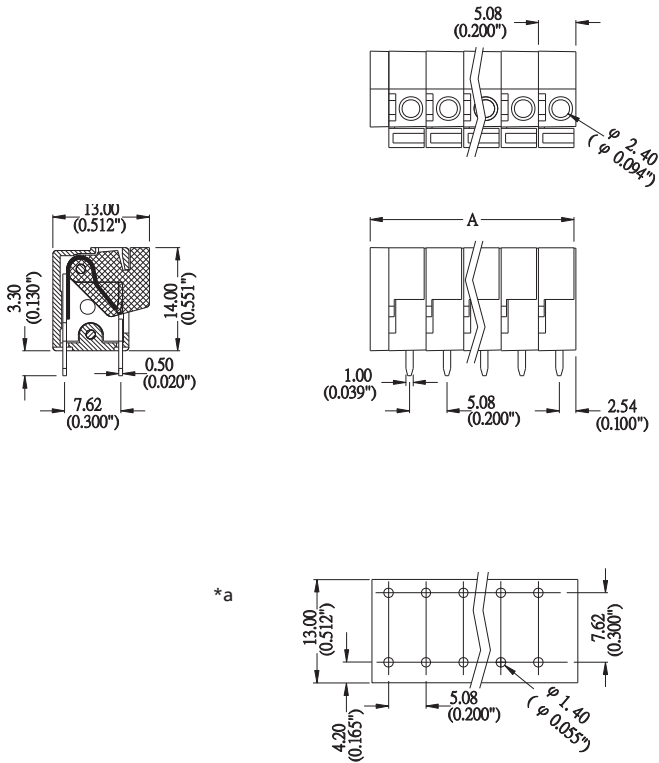
Spring terminal block, upright
contact pitch 5.08 mm

Approvals:



60

MX 122-508



*a printed circuit board layout

Environmental conditions

Temperature range -40 °C/+105 °C

Materials

Insulating body PA, V-0 according to UL94
Spring special steel
Lötkontakt CuZn, tin-plated

Connectable conductors for spring clamp

Section AWG 24-14 (0,25-2,5 mm²)
Stripping length 10 mm

Electrical data (at T_{amb} 20 °C)

Rated current 10 A
Rated voltage 300 V AC
Rated impulse voltage ≥ 2,0 kV
Insulation resistance > 5 GΩ

60

MX 122-508

Designation	Pole Number	PU (Pieces)	MDQ (Pieces)	Dimensions A (mm)
MX 122-50802	2	200	1000	12.70
MX 122-50803	3	200	1000	17.78
MX 122-50804	4	200	1000	22.86
MX 122-50806	6	200	1000	33.02
MX 122-50808	8	50	1000	43.18

Packaging:

in bulk, in a plastic bag