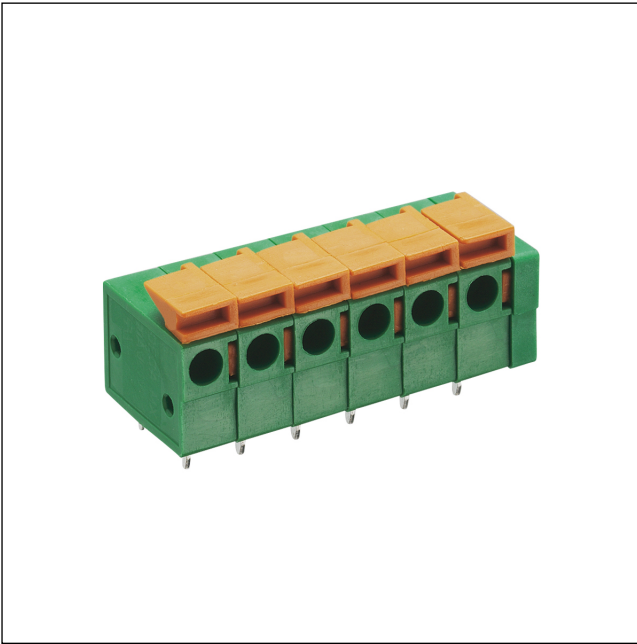


60 MX 222-508

Spring terminal blocks, pitch 5.08 mm

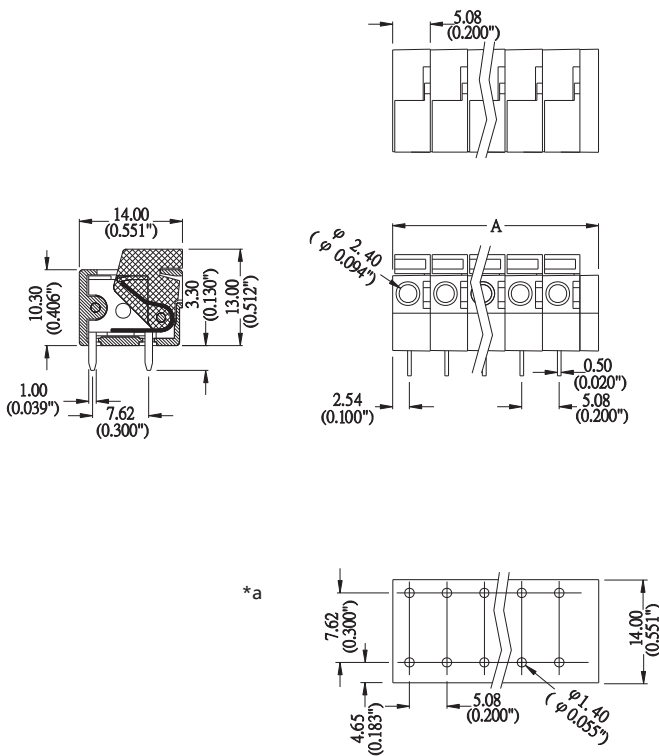


Spring terminal block, angular
contact pitch 5.08 mm

Approvals:



60 MX 222-508



*a printed circuit board layout

Environmental conditions

Temperature range -40 °C/+105 °C

Materials

Insulating body PA, V-0 according to UL94
 Spring special steel
 Lötkontakt CuZn, tin-plated

Connectable conductors for spring clamp

Section AWG 24-14 (0,25-2,5 mm²)
 Stripping length 10 mm

Electrical data (at T_{amb} 20 °C)

Rated current 10 A
 Rated voltage 300 V AC
 Rated impulse voltage ≥ 2,0 kV
 Insulation resistance > 5 GΩ

60 MX 222-508

Designation	Pole Number	PU (Pieces)	MDQ (Pieces)	Dimensions A (mm)
MX 222-50802	2	200	1000	12.70
MX 222-50803	3	200	1000	17.78
MX 222-50804	4	200	1000	22.86

Packaging:

in bulk, in a plastic bag