

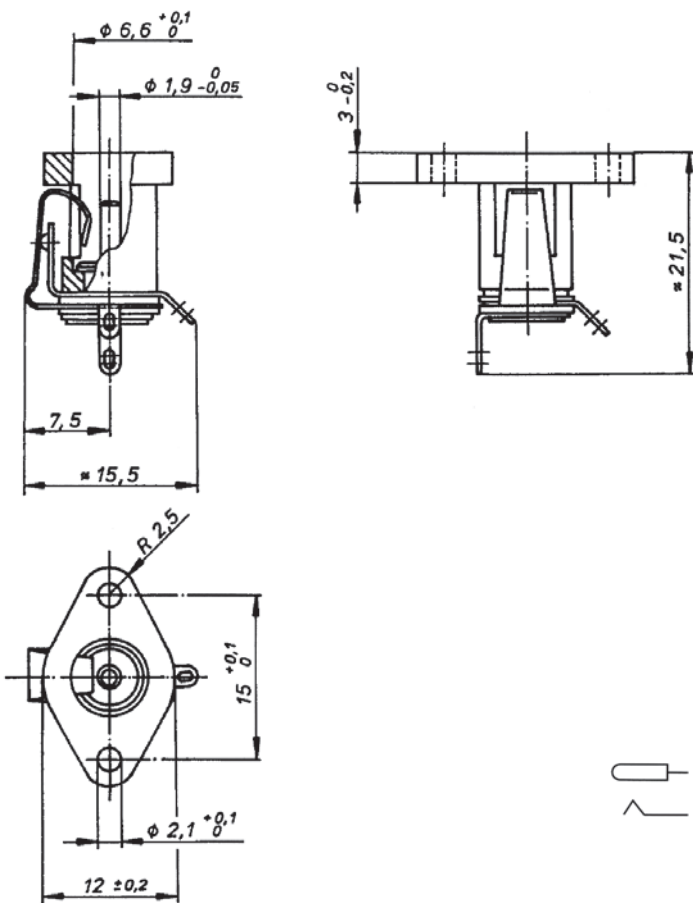
16

NEB 1

Power supply connectors



Power supply chassis socket acc. to DIN 45323, straight version, with fixing flange and solder eyes



**Materials**

Contact	tin-plated
Housing	POM


**Mechanical data**

Diameter opening	6.6 mm
Diameter center pin	1.9 mm

**Electrical data (at  $T_{amb}$  20 °C)**

Rated current	3 A
Rated voltage	34 V DC

**Associated products**

Counterparts  
 NES 1

16

NEB 1

Designation	Pole Number	PU (Pieces)	MDQ (Pieces)
NEB 1	2	200	400

**Packaging:**

in bulk, in a cardboard box or a plastic bag