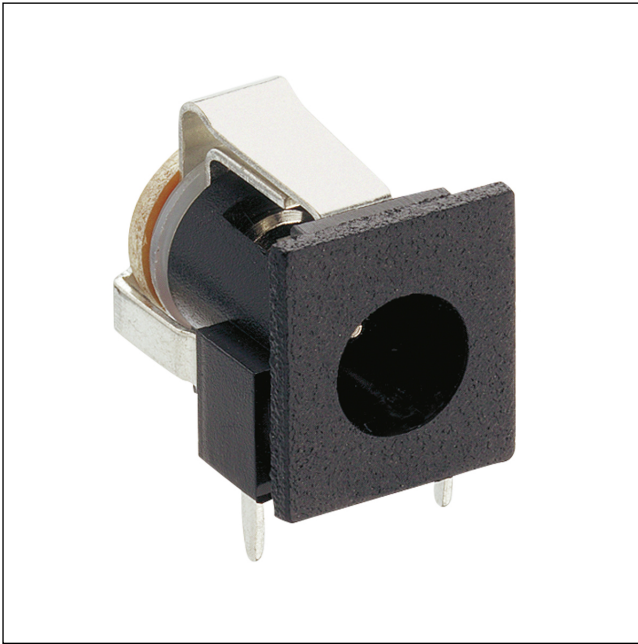


16

NEB 1 R

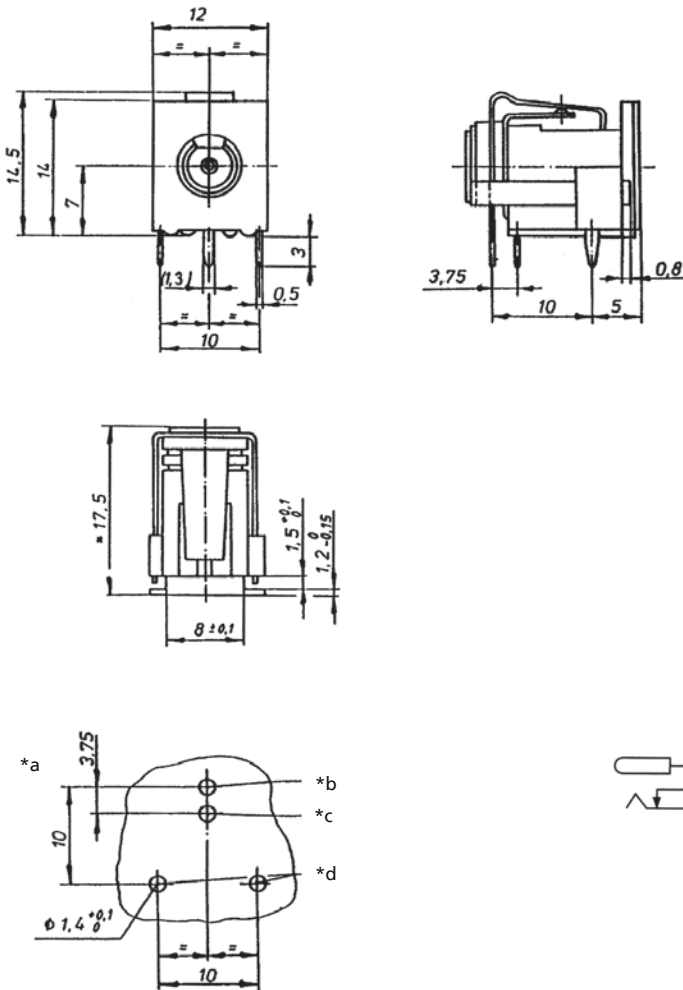
Power supply connectors



Power supply chassis socket acc. to DIN 45323, angular version, with flange and break contact, for printed circuit boards

16

NEB 1 R



- \*a printed circuit board layout
- \*b outer contact (positive pole)
- \*c break contact
- \*d inner contact (negative pole)

**Materials**

Contact	CuNiSi, tin-plated
Housing	POM

**Mechanical data**

Diameter opening	6.6 mm
Diameter center pin	1.9 mm
Mating cycles	≥ 5000
Contact pressure	≥ 1,2 N (after 5000 mating cycles ≥ 1 N)

**Electrical data (at T<sub>amb</sub> 20 °C)**

Rated current	3 A
Rated voltage	34 V DC

**Associated products**

Counterparts  
☑ NES 1



16

NEB 1 R

Designation	Pole Number	PU (Pieces)	MDQ (Pieces)
NEB 1 R	2	200	400

**Packaging:**

in bulk, in a cardboard box or a plastic bag