

16

NEB 21 R

Power supply connectors

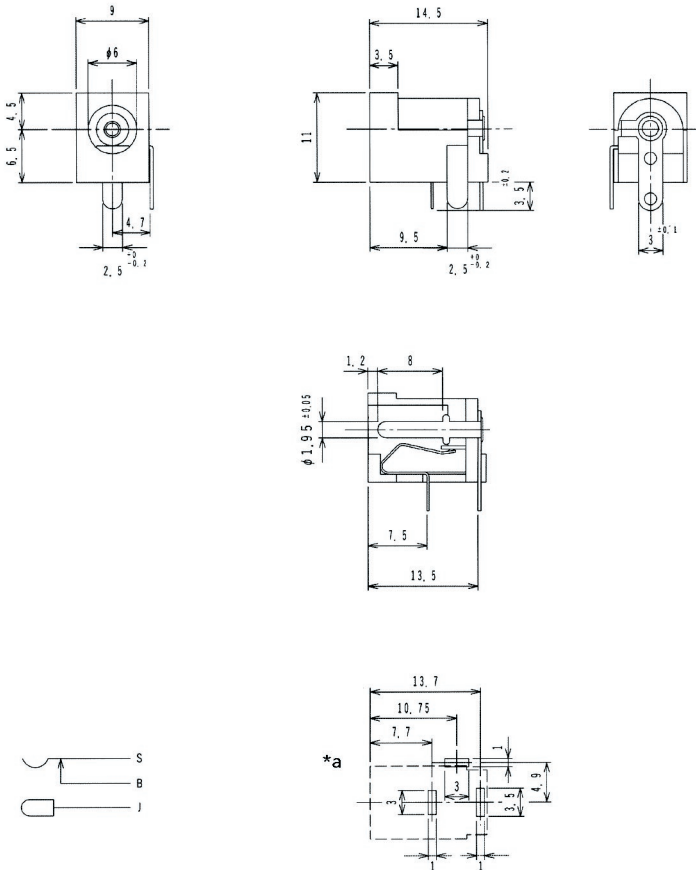


Power supply chassis socket, angular version, with break contact, for printed circuit boards

State: Active

16

NEB 21 R



*a printed circuit board layout, solder side view

Environmental conditions

Temperature range -20 °C/+70 °C

Materials

Insulating body PBT GF, V-0 according to UL94
Contact Cu alloy, nickel-plated/tin-plated

Mechanical data

Diameter opening 6,0 mm
Diameter center pin 1,95 mm
Mating cycles $\geq 5000^1$
Insertion force 5–20 N (initial value)
Withdrawal force 4–15 N (initial value)

¹ measured with a gauge plug

Electrical data (at T_{amb} 20 °C)

Contact resistance ≤ 30 m Ω
Rated current 2 A
Rated voltage 24 V DC
Rated impulse voltage 500 V/60 s
Insulation resistance ≥ 100 M Ω

Associated products

Counterparts
 ☞ 1633 02 ☞ 1633 03 ☞ NES/J 21
 ☞ NES/J 21 W ☞ NES/J 210 ☞ XNES/J 210

16

NEB 21 R

Designation	Pole Number	PU (Pieces)	MDQ (Pieces)
NEB 21 R	2	250	750

Packaging:

in bulk, in a cardboard box or a plastic bag