

16 NEK/J 250

Power supply connectors



Power supply cable socket, straight version, with solder eyes and bend protection

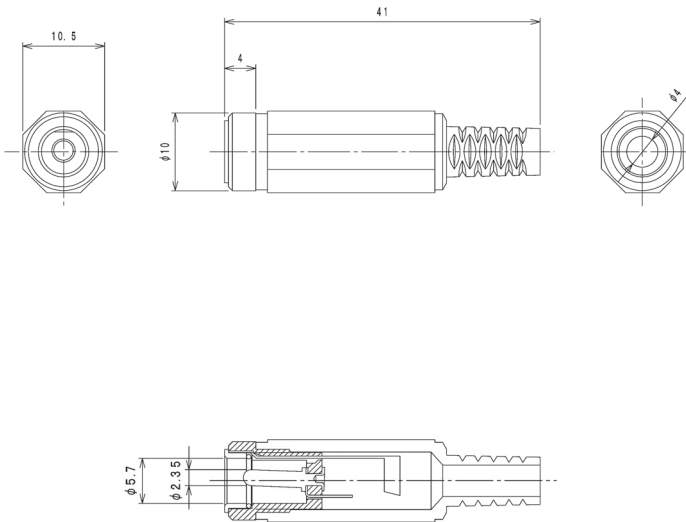
---

State: Active

---

16

NEK/J 250



#### Environmental conditions

Temperature range -20 °C/+70 °C

#### Materials

Insulating body	PA, V-2 according to UL94
Contact	CuZn, nickel-plated
Housing	PE

#### Mechanical data

Diameter opening	5,7 mm
Diameter center pin	2,35 mm
Mating cycles	≥ 5000 <sup>1</sup>
Insertion force	4–20 N (initial value)
Withdrawal force	2–15 N (initial value)

<sup>1</sup> measured with a gauge plug






#### Connectable conductors for solder area

Cable diameter 4 mm

#### Electrical data (at T<sub>amb</sub> 20 °C)

Contact resistance	≤ 30 mΩ
Rated current	2 A
Rated voltage	24 V DC
Rated impulse voltage	500 V/60 s
Insulation resistance	≥ 100 MΩ

#### Associated products

Counterparts			
 1633 04	 1634 02	 NES/J 25	
 NES/J 250	 XNES/J 250		

16

NEK/J 250

Designation	Pole Number	PU (Pieces)	MDQ (Pieces)
NEK/J 250	2	100	500

**Packaging:**

in bulk, in a cardboard box or a plastic bag