

16 NES/J 21 W

Power supply connectors

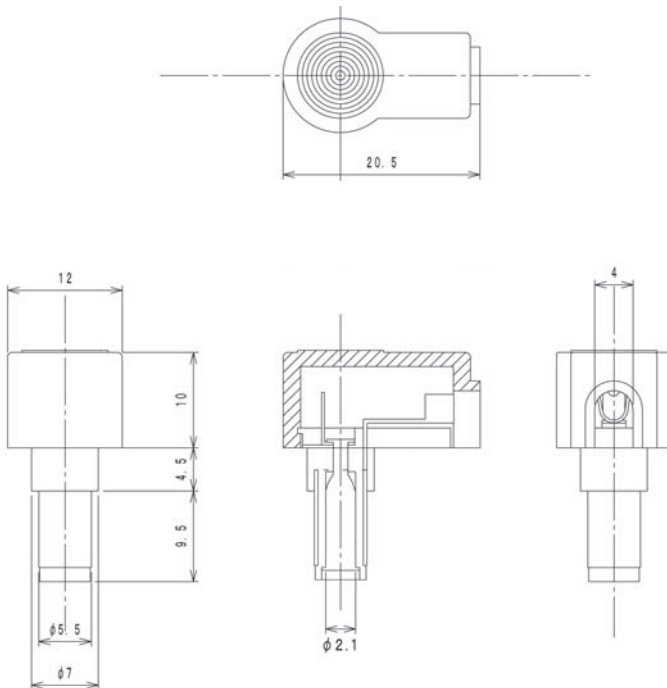


Power supply plug, angular version, with solder eyes

State: Active

16

NES/J 21 W



Environmental conditions

Temperature range -20 °C/+70 °C

Materials

Insulating body ABS
Contact CuZn, nickel-plated
Housing PE

Mechanical data

Outer diameter 5,5 mm
Inner diameter 2,1 mm

Connectable conductors for solder area

Cable diameter 4 mm

Electrical data (at T_{amb} 20 °C)

Rated current 0,5 A
Rated voltage 12 V DC
Rated impulse voltage 500 V/60 s
Insulation resistance ≥ 100 MΩ

Associated products

Counterparts

☞ 1610 02	☞ 1613 14	☞ 1613 18
☞ 1614 09	☞ 1614 14	☞ 1614 16
☞ 1614 19	☞ NEB 21 R	☞ NEB/J 21
☞ NEB/J 21 C	☞ NEB/J 21 R	☞ NEK/J 210

16

NES/J 21 W

Designation	Pole Number	PU (Pieces)	MDQ (Pieces)
NES/J 21 W	2	100	500

Packaging:

in bulk, in a cardboard box or a plastic bag