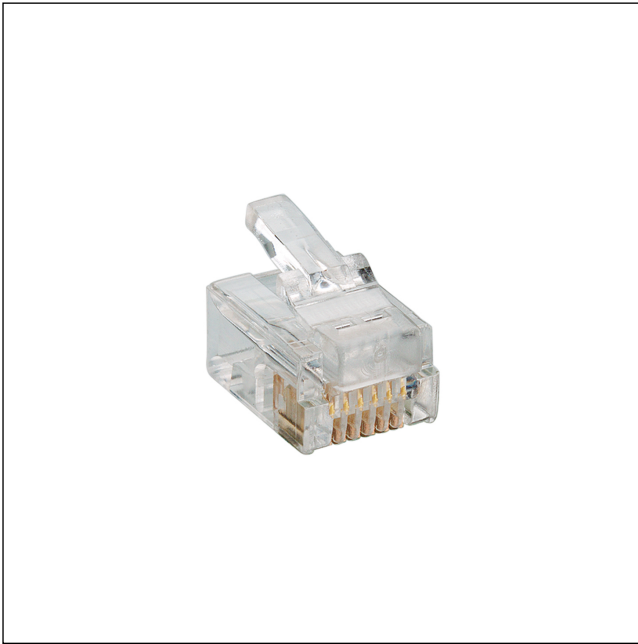


25

P 128

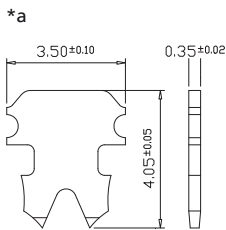
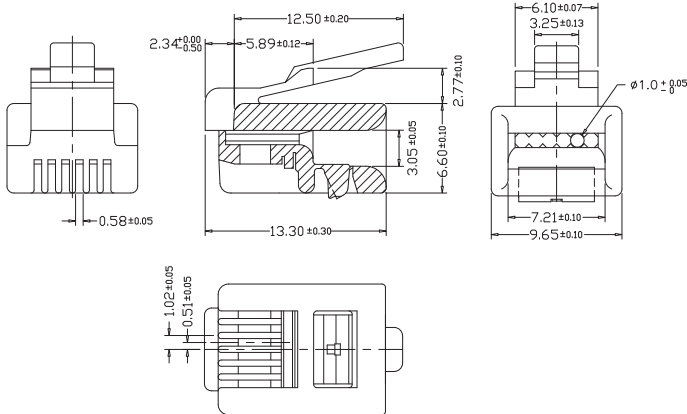
Modular connectors



Modular plug, 6p6c (RJ12), with locking latch, piercing technology

25

P 128



*a piercing contact

Environmental conditions

Temperature range -40 °C/+125 °C

Materials

Insulating body PC, V-2 according to UL94
Contact CuSn, gold-plated

Connectable conductors for piercing area

Section AWG 26–24, 0.128–0.241 mm²
Construction flat cable
Stripping length cable jacket 6 mm

Electrical data (at T_{amb} 20 °C)

Rated current 1.5 A
Rated voltage 250 V AC
Insulation resistance 500 MΩ

Associated products

Counterparts

Harnessing equipment

[↗ ZP25-2](#)

[↗ ZP25-3](#)

25

P 128

Designation	Pole Number	PU (Pieces)	MDQ (Pieces)
P 128	6	1000	3000

Packaging:

in bulk, in a cardboard box or a plastic bag