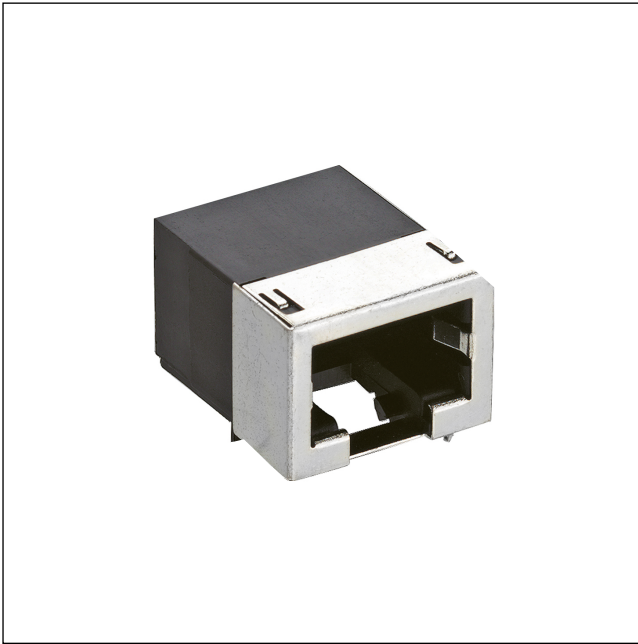


25

P 137 S

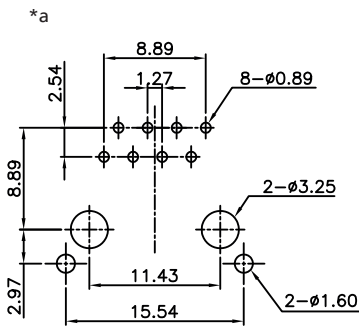
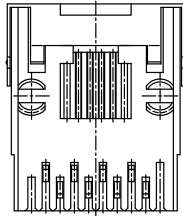
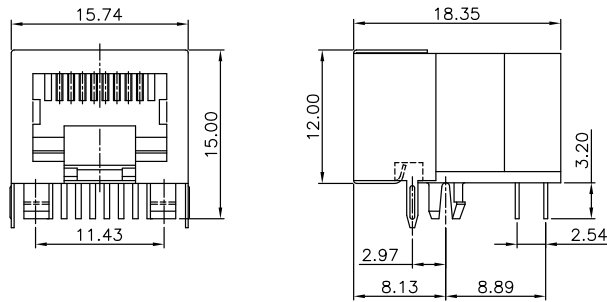
Modular connectors



Modular chassis socket, 8p8c (RJ45), angular, with shielding, lower side locking and flange, for printed circuit boards

25

P 137 S



*a printed circuit board layout, components side view

Environmental conditions

Temperature range 0 °C/+70 °C

Materials

Insulating body PBT GF, V-0 according to UL94
 Contact spring CuSn, pre-nickel and gold-plated, tin-plated in solder area
 Housing Cu alloy, tin-plated

Mechanical data

Mating cycles 750
 Insertion force 60 N
 Withdrawal force 60 N

Electrical data (at T_{amb} 20 °C)

Contact resistance ≤ 40 mΩ
 Rated current ≤ 1,5 A
 Rated voltage 125 V
 Rated impulse voltage 500 V
 Insulation resistance ≥ 500 MΩ

Associated products

Counterparts
 ☞ 2542 01 ☞ 2542 02 ☞ 2542 03
 ☞ P 129 ☞ P 129 S

Accessories
 ☞ 2533 01

25

P 137 S

Designation	Pole Number	PU (Pieces)	MDQ (Pieces)
P 137 S	8	38	760

Packaging:
in bulk, in a cardboard box or a plastic bag