

25

P 303 S

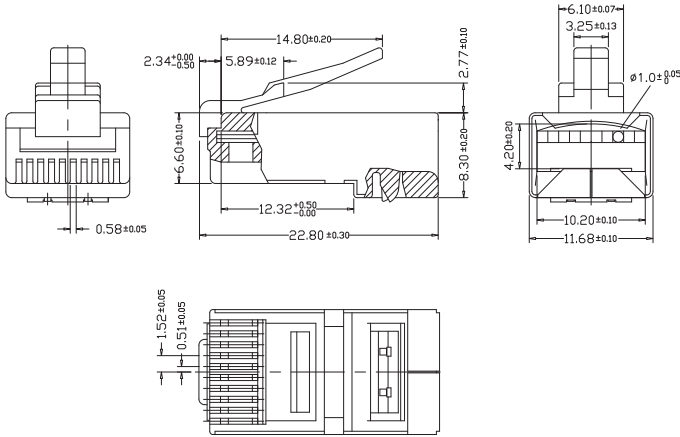
## Modular connectors



Modular plug, 10p10c (RJ50), with locking latch and shielding, piercing technology

25

P 303 S



#### Environmental conditions

Temperature range -25 °C/+80 °C

#### Materials

Insulating body PC, V-2 according to UL94  
 Contact CuSn, pre-nickel and gold-plated in mating area  
 Schirmung CuZn, nickel-plated

#### Mechanical data

Mating cycles 1000  
 Insertion force  $\leq 36.3$  N  
 Withdrawal force  $\geq 89.3$  N

#### Connectable conductors for piercing area

Section AWG 26  
 Construction flat cable 2.55 mm x 10.55 ± 0.2 mm  
 or  
 round cable Ø 6.0 mm ± 0.2 mm  
 Stripping length cable jacket 12 mm

#### Electrical data (at T<sub>amb</sub> 20 °C)

Contact resistance  $\leq 20$  mΩ  
 Rated current 2 A  
 Rated voltage 250 V AC  
 Rated impulse voltage 1 kV  
 Insulation resistance  $\geq 500$  MΩ

#### Associated products

Counterparts

25

P 303 S

---

Harnessing equipment

[ZP25-3](#)

---

25

P 303 S

Designation	Pole Number	PU (Pieces)	MDQ (Pieces)
P 303 S	10	100	500

**Packaging:**

in bulk, in a cardboard box or a plastic bag