

15

STO 2

RCA connectors

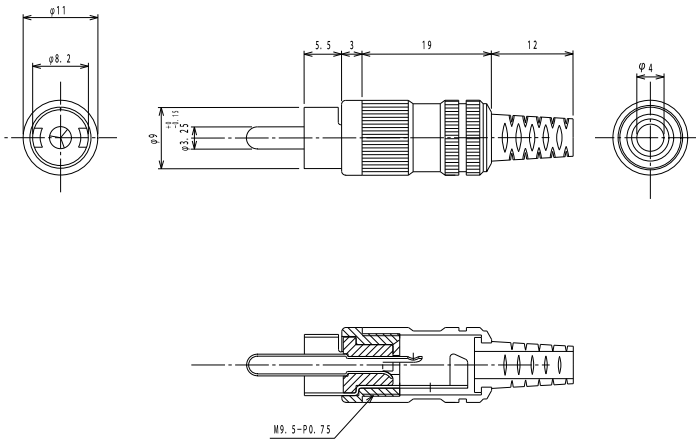


RCA plug acc. to JEITA RC-5231, straight version, with metal housing, bend protection and solder terminals

State: Active

15

STO 2



Environmental conditions

Temperature range -20 °C/+70 °C

Materials

Insulating body	ABS
Inner contact	CuZn, nickel-plated
Outer contact	steel, nickel-plated
Housing	CuZn, nickel-plated
Bend protection sleeve	PVC

Connectable conductors for solder area

Cable diameter 4 mm

Electrical data (at T_{amb} 20 °C)

Rated current	2 A
Rated voltage	34 V AC/DC
Rated impulse voltage	250 V/60 s
Insulation resistance	≥ 100 MΩ

Associated products

Counterparts		
☞ 1552 02 V	☞ 1553 02	☞ 4514
☞ BTO 1	☞ BTO 1 V	☞ BTOR 1
☞ KTO 1	☞ XKTO 1	

15

STO 2

Designation	Pole Number	PU (Pieces)	MDQ (Pieces)
STO 2 ROT (red/rouge)	2	100	500
STO 2 SCHWARZ (black/noir)	2	100	500

Packaging:

in bulk, in a cardboard box or a plastic bag