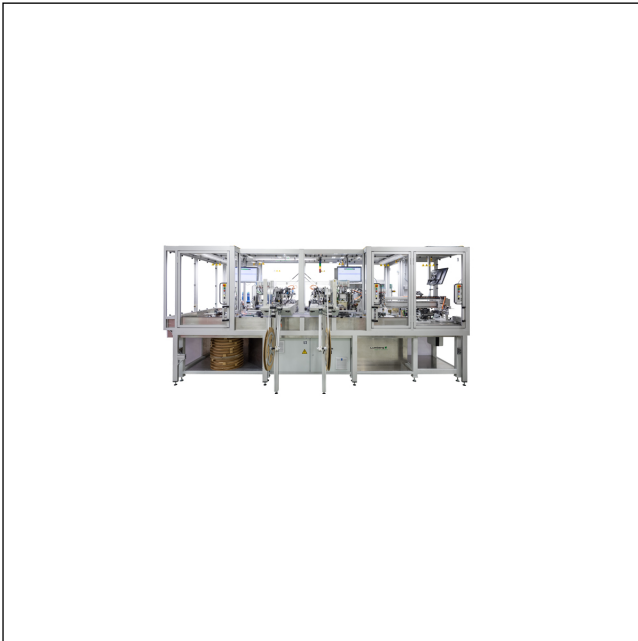



97 VARICON 1000

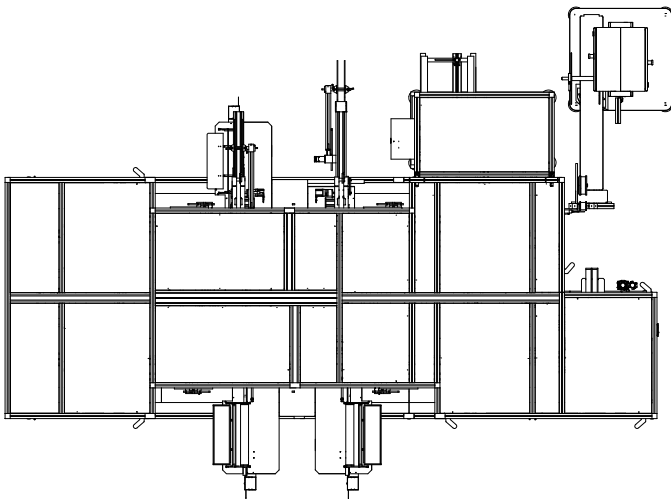
Tools and harnessing machines



Fully automatic harnessing machine for termination of Micromodul™ connectors in insulation displacement technology

Approvals: 

97 VARICON 1000



Range of application

Connector	302299, MICA, MICAL, MICALD
Pole number	4-26
Pitch	1,27 mm
State of delivery of connectors	on reel, in bar stock carrier
Processable conductor	flat cable 1.27 mm

Features

Application	very high volume production
Stroke capacity	ca. 1,200 connectors/h
Scope of functions and delivery	- Processing modules for mass termination - Testing units for quality control

Dimensions and supply data

Dimensions (H x W x D)	2080 mm x 4600 mm x 3000 mm Beispiel, konfigurationsabhängig
Weight	ca. 2500 kg Beispiel, konfigurationsabhängig
Electrical supply	400 V/50 Hz
Compressed air supply	6 bar

97 VARICON 1000

Designation	Pole Number	PU (Pieces)	MDQ (Pieces)
VARICON 1000	-	1	1