

15 WKLS 2

Jack connectors

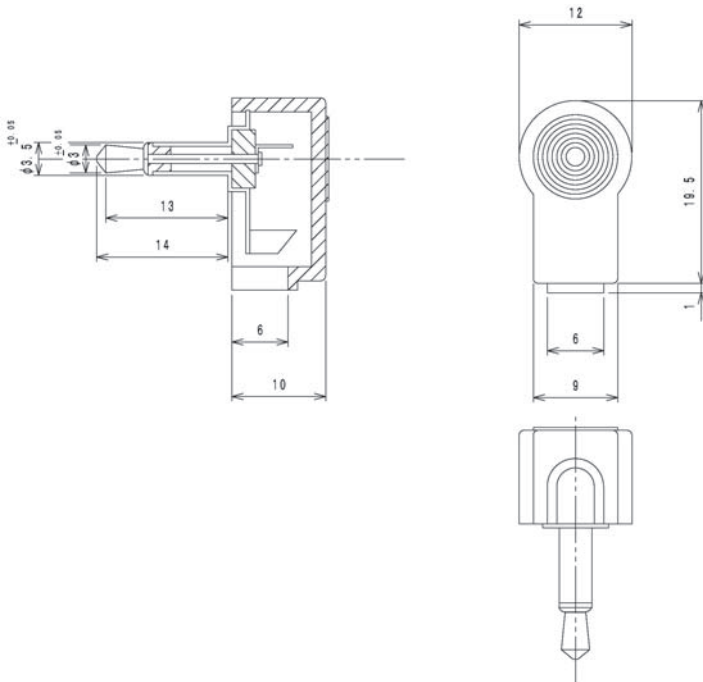


Jack plug acc. to JIS C 6560 JC35P2, 3.5 mm, 2 poles/mono, angular version, with solder terminals

---

State: Active

---



#### Environmental conditions

Temperature range -20 °C/+70 °C

#### Materials

Insulating body	Ebonit
Contact	CuZn/steel, nickel-plated
Housing	PE

#### Connectable conductors for solder area

Cable diameter 4 mm

#### Electrical data (at T<sub>amb</sub> 20 °C)

Rated current	1 A
Rated voltage	34 V AC/DC
Rated impulse voltage	500 V/60 s
Insulation resistance	≥ 100 MΩ

#### Associated products

##### Counterparts

<a href="#">☞ 1502 03</a>	<a href="#">☞ 1503 06</a>	<a href="#">☞ 1503 12</a>
<a href="#">☞ 1522 02</a>	<a href="#">☞ 1522 03</a>	<a href="#">☞ KLK 22</a>

15

WKLS 2

Designation	Pole Number	PU (Pieces)	MDQ (Pieces)
WKLS 2	2	100	500

**Packaging:**

in bulk, in a cardboard box or a plastic bag