

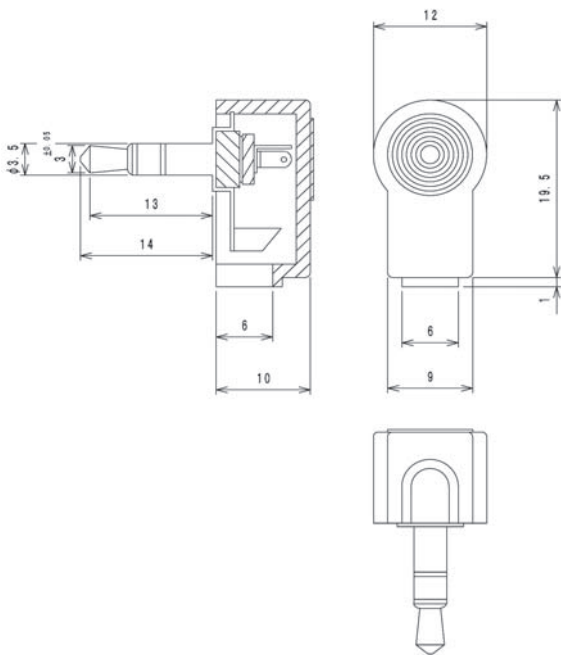
15 WKLS 40

Jack connectors



Jack plug acc. to JIS C 6560 JC35P3, 3.5 mm, 3 poles/
stereo, angular version, with solder terminals

15 WKLS 40



Environmental conditions

Temperature range -20 °C/+70 °C

Materials

| | |
|-----------------|---------------------------|
| Insulating body | PC |
| Contact | CuZn/steel, nickel-plated |
| Insulation | ebonite |
| Housing | PE |

Connectable conductors for solder area

Cable diameter 4 mm

Electrical data (at T_{amb} 20 °C)

| | |
|-----------------------|------------|
| Rated current | 1 A |
| Rated voltage | 34 V AC/DC |
| Rated impulse voltage | 500 V/60 s |
| Insulation resistance | ≥ 100 MΩ |

Associated products

Counterparts

| | | |
|-----------|-----------|-----------|
| ☞ 1502 01 | ☞ 1502 06 | ☞ 1502 07 |
| ☞ 1502 08 | ☞ 1503 02 | ☞ 1503 03 |
| ☞ 1503 08 | ☞ 1503 09 | ☞ 1503 17 |
| ☞ 1503 18 | ☞ 1503 27 | ☞ 1503 29 |
| ☞ 1503 30 | ☞ 1520 01 | ☞ 1520 02 |
| ☞ 4510 | ☞ 4511 | ☞ KLB 4 |
| ☞ KLBR 4 | | |

15

WKLS 40

| Designation | Pole Number | PU (Pieces) | MDQ (Pieces) |
|-------------|-------------|-------------|--------------|
| WKLS 40 | 3 | 100 | 500 |

Packaging:

in bulk, in a cardboard box or a plastic bag