

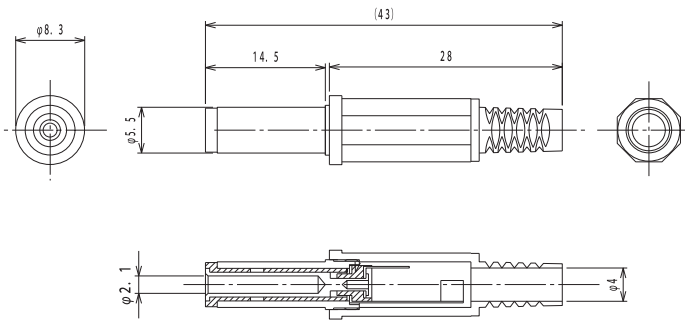
16

XNES/J 210

Power supply connectors



Power supply plug,
5.5 mm x 2.1 mm, long, straight version, with solder eyes
and bend protection



Environmental conditions

Temperature range -20 °C/+70 °C

Materials

Insulating body	PC
Contact	CuZn, nickel-plated
Insulation	POM/PVC
Housing	PP

Mechanical data

Outer diameter	5.5 mm
Inner diameter	2.1 mm

Connectable conductors for solder area

Cable diameter 4 mm

Electrical data (at T_{amb} 20 °C)

Contact resistance	≤ 30 mΩ
Rated current	0.5 A
Rated voltage	12 V DC
Rated impulse voltage	500 V/60 s
Insulation resistance	≥ 100 MΩ

Associated products

Counterparts

☞ 1610 06	☞ 1613 14	☞ 1613 18
☞ 1613 28	☞ 1613 30	☞ 1613 32
☞ 1614 09	☞ 1614 14	☞ 1614 16
☞ 1614 19	☞ NEB 21 R-C	☞ NEB/J 21
☞ NEB/J 21 C	☞ NEB/J 21 R	☞ NEK/J 210

16

XNES/J 210

Designation	Pole Number	PU (Pieces)	MDQ (Pieces)
XNES/J 210	2	100	500

Packaging:

in bulk, in a cardboard box or a plastic bag