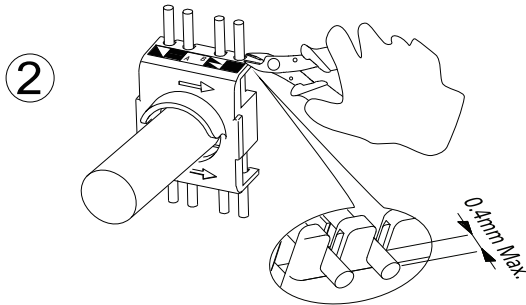
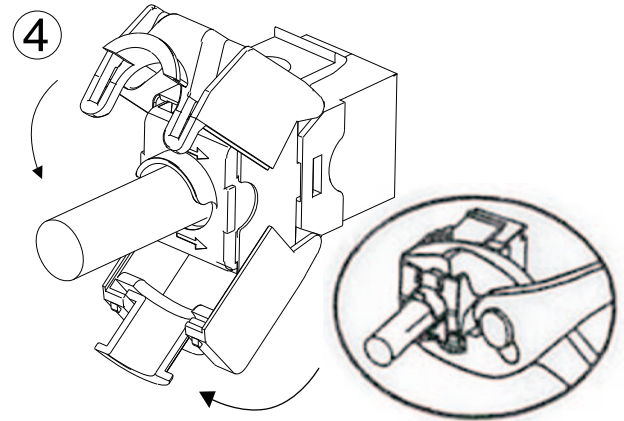


Strip off 1.6 inch of a cable jacket and fold braid back over it. Cut off aluminum foil for each pair, and use a supplied copper foil shield surrounding a cable.

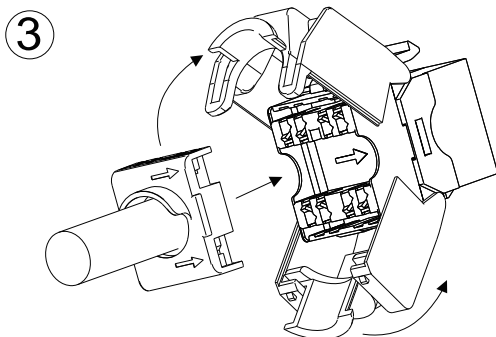
JACK PIN DESIGNATIONS	TIA/EIA T568A	TIA/EIA T568B
	1 White/Green	White/Orange
	2 Green	Orange
	3 White/Orange	White/Green
	6 Orange	Green
	4 Blue	Blue
	5 White/Blue	White/Blue
	7 White/Brown	White/Brown
8 Brown	Brown	



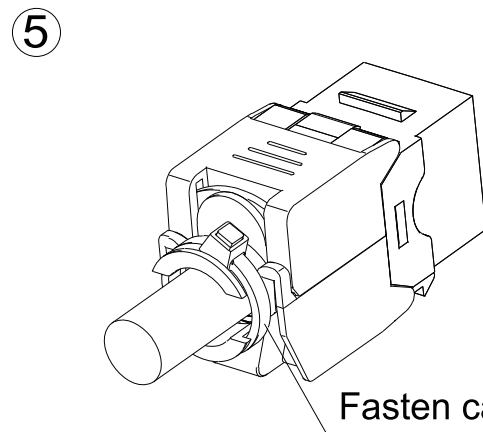
Insert a cable into the termination cap and fan out all four twisted pairs. Following the instruction of the color-coded wire position printed on the termination cap, position conductors into the slots and make sure the conductors are in the proper slot. Trim the ends of the conductors.



Secure the hinged outlet by using a crimp tool until it completely snap to effect the connection.



Install the termination cap to outlet, which will also allocate the conductors sitting on the slots.



Fasten cable tie